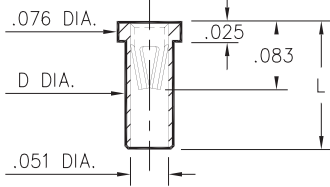


### 0305

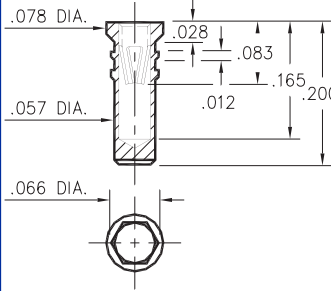


Basic Part Number	Length L	Dia. D
0305-0	.095	.056
0305-1	.105	.058
0305-2	.155	.058

#### 0305-X-15-XX-47-XX-10-0

Solder mount in .059/.061 mounting hole  
Also available on 24mm wide carrier tape: 1,500 parts per 13" reel.  
Order as: 0305-2-57-XX-47-XX-10-0

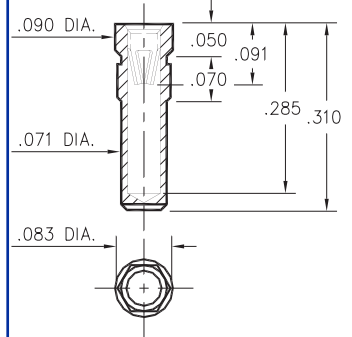
### 0279



#### 0279-0-15-XX-47-XX-10-0

Hex press-fit in .062 plated thru hole

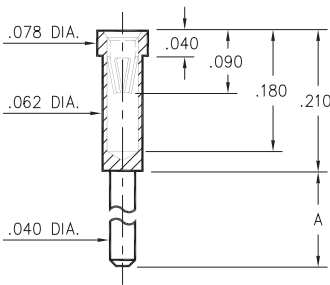
### 0330



#### 0330-0-15-XX-47-XX-10-0

Hex press-fit in .079 plated thru hole

### 0300/8300

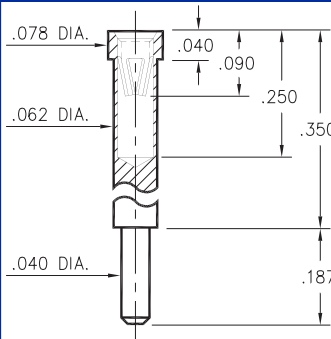


Basic Part Number	Length A
0300-1	.110
0300-2	.187
8300-0	.140

#### X300-X-15-XX-47-XX-10-0

Solder mount in .042 min. mounting hole

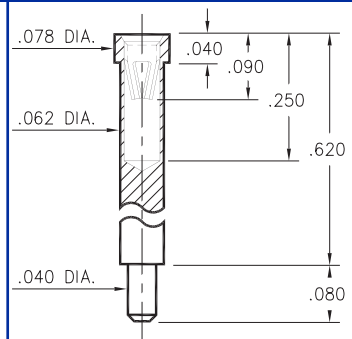
### 0301



#### 0301-1-15-XX-47-XX-10-0

Solder mount in .042 min. mounting hole

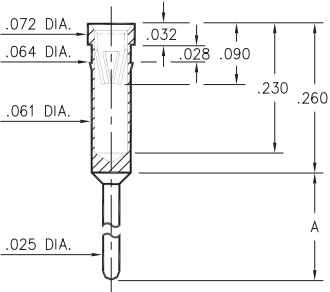
### 0309



#### 0309-2-15-XX-47-XX-10-0

Solder mount in .042 min. mounting hole

### 0399

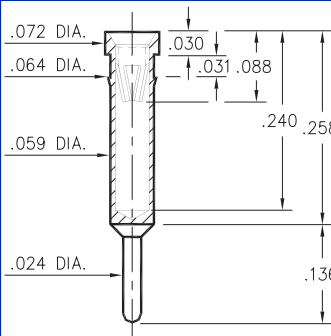


Basic Part Number	Length A
0399-0	.230
0399-1	.180

#### 0399-X-15-XX-47-XX-04-0

Press-fit in .061 mounting hole

### 1304



#### 1304-0-15-XX-47-XX-04-0

Press-fit in .061 mounting hole

## SPECIFICATIONS

**SHELL MATERIAL:**  
Brass Alloy 360, 1/2 Hard

**CONTACT MATERIAL:**  
Beryllium Copper Alloy 172, HT

**DIMENSION IN INCHES**  
**TOLERANCES ON:**  
LENGTHS: ±.005  
DIAMETERS: ±.002  
ANGLES: ± 2°

**ORDER CODE: XXXX - X - 15 - XX - 47 - XX - XX - 0**

**BASIC PART #** →

**SPECIFY SHELL FINISH:**

- 01 200μ" TIN/LEAD OVER NICKEL
- 80 200μ" TIN OVER NICKEL ◊
- 15 10μ" GOLD OVER NICKEL ◊

**SPECIFY CONTACT FINISH:**

- 01 200μ" TIN/LEAD OVER NICKEL
- 80 200μ" TIN OVER NICKEL ◊
- 27 30μ" GOLD OVER NICKEL ◊

**CONTACT**

#47 CONTACT (DATA ON PAGE 211)

